



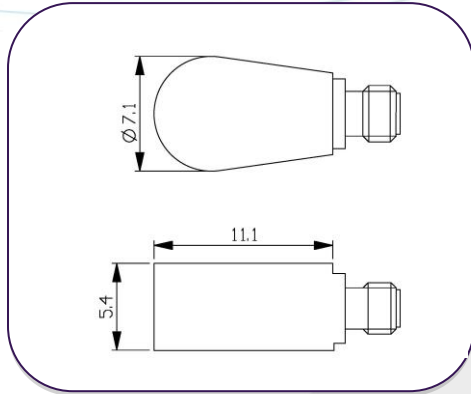
A/127/V Miniature Piezo-Tronic IEPE Accelerometer

1mV/g up to 100mV/g $\pm 10\%$

1.5gm

Std temp 125°C (185°C HT)

A/127/V



Sub-miniature teardrop IEPE/voltage output accelerometer. Manufactured in Titanium and features an all welded construction for a robust build. Using the DJB unique Konic shear sensing element the low mass of the A/127/V renders it transparent in the vast majority of light weight structure vibration measurement applications.

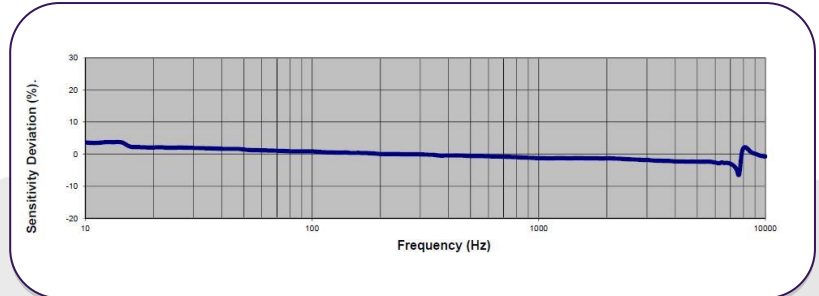
The A/127/V is adhesive mounted. A detachment tool is provided to shear adhesive joints. Shock removal is to be avoided as being deleterious to the integrity of the transducer.

Abrasive cleaning of the attachment face will reduce base thickness over time; sparing use of adhesive will aid longevity.

All welded construction.

KP miniature microdot connector

Typical Frequency Response



	Metric			Imperial		
Voltage Sensitivity $\pm 10\%$	0.102 mV/(m/s ²)	1.02 mV/(m/s ²)	10.2 mV/(m/s ²)	1mV/g	10mV/g	100mV/g
Resonant Frequency KHz	≈50			≈50		
Cross Axis error % max	5			5		
Temperature Range	-50/ +125°C (+185°C HT)			-58/ +257°F (+365°F HT)		
Voltage sensitivity deviation re 20°C/68°F	-5% @ - 50°C +5% @ + 125°C +10% @ + 185°C			-5% @ - 58°F +5% @ + 257°F +10% @ + 365°F		
Frequency Response $\pm 5\%$	0.7Hz to 10kHz	20Hz to 10kHz	20Hz to 10kHz	0.7Hz to 10kHz	20Hz to 10kHz	20Hz to 10kHz
Maximum Continuous g level sine	49,033m/s ²			5000g		
Max Shock g level, rise time τ_s	98,100m/s ² , 20			10000g, 20		
Supply Voltage V DC	15/ 35			15/ 35		
Bias Voltage V DC	9/11			9/11		
Connector	M3.5 KP Miniature Microdot			M3.5 KP Miniature Microdot		
Supply Current mA	2/20			2/20		
Settling time to 90% final val. (secs)	<1			<1		
L.F, Corner frequencv. Hz	0.2			0.2		
Saturation Limit, equiv.g	49,033m/s ²	4,903m/s ²	490.3m/s ²	5000g	500g	50g
Case Material	Titanium			Titanium		
Mounting	Adhesive			Adhesive		
Weight	1.5gm			0.06oz		
Size	11.1 x 7.1 x 5.4mm			0.44 x 0.28 x 0.21in		