



## A/121/V, A/121/VI High Sensitivity Piezo-Tronic IEPE Accelerometer

100mV/g up to 3V/g  $\pm 10\%$  90gm Std temp 125°C (HT 185°C)

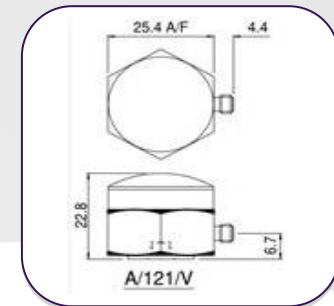
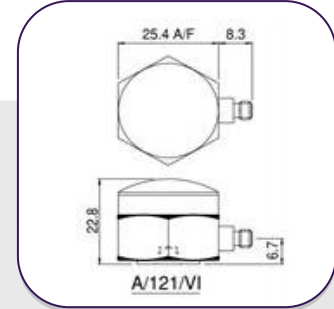
High output Konic shear IEPE vibration transducer utilizing DJB's unique and technically superior Konic shear design of piezoelectric ceramic sensor. Available with a sensitivity up to 3V/g which offers a measurement range of 1.6g the A/121 can be used to measure low level building vibration as well as other applications where minimal vibration is present.

Using a wide range of IEPE signal conditioning levels the A/121 range can interface directly to a wide range of commercially available vibration spectrum analyzers and data acquisition systems as well as in our own VV/04, V3/04, V4/04 and CV9 signal conditioners which offer a range of normalizing and amplification options.

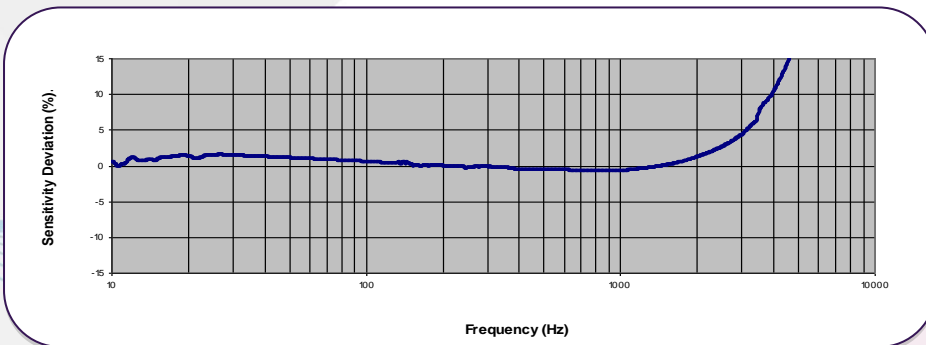
Version A/121/VI incorporates a three pole band pass filter for noise rejection with a case isolated signal outlet for common mode interference rejection.

### Note:

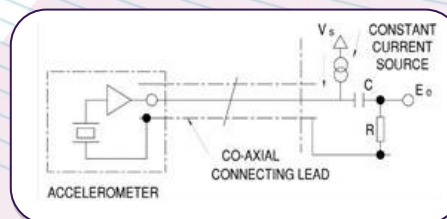
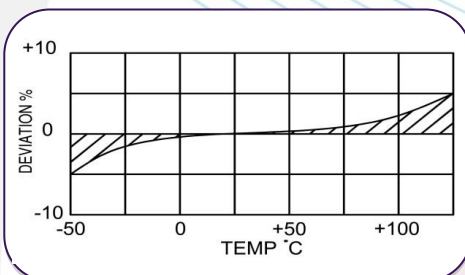
Voltage sensitivities shown are standard. We offer a wide range of sensitivities on request, and recommend that applications are evaluated to determine the requisite sensitivity.



### Typical Frequency Response



### Temperature Response



### DJB Instruments (UK) Ltd

Finchley Avenue,  
Mildenhall, Suffolk IP28 7BG

Tel +44 (0)1638 712 288  
Email sales@djbinstruments.com  
Web www.djbinstruments.com

A UK company with UK-based manufacturing, assembly and calibration in-house.

DJB Iss.1





**A/121/V, A/121/VI**  
**High Sensitivity Piezo-Tronic**  
**IEPE Accelerometer**

100mV/g up to 3V/g  $\pm 10\%$  90gm Std temp 125°C (HT 185°C)

	Metric		Imperial	
Voltage Sensitivity $\pm 10\%$	10.2mV/(m/s <sup>2</sup> )	0.3V/(m/s <sup>2</sup> )	100 mV/g	3V/g
Resonant frequency kHz	$\approx 9$		$\approx 9$	
Cross Axis error % max	5		5	
Temperature Range	-50/+185°C		-58/+365°F	
Voltage sensitivity deviation re 20°C/68°C	-5% @ 50°C +5% @ +125°C +/-10% @ +185°C		-5% @ 58°F +5% @ +257°F +/-10% @ +365°F	
Supply voltage V DC	15/35		15/35	
Supply voltage mA	2/15		2/15	
Bias voltage V DC	8/10		8/10	
Settling time to 90% final val. secs	<1		<1	
Max continuous accn. g sine	4,903m/s <sup>2</sup>		500g	
Noise level, equiv. mg	2		2	
Frequency Response	1Hz-2KHz $\pm 5\%$ 1Hz-3KHz $\pm 10\%$		1Hz-2KHz $\pm 5\%$ 1Hz-3KHz $\pm 10\%$	
L.F corner frequency, Hz	0.1	0.08	0.1	0.08
Case material	St/ steel, 303 S31		St/ steel, 303 S31	
Mounting	Base tapped hole, 10-32 UNF x 4mm deep		Base tapped hole, 10-32 UNF x 0.16in deep	
Weight	90gm		3.17oz	
Case seal	Welded hermetic connector (TNC)		Welded hermetic connector (TNC)	
Size	25.4 (A/F) x 22.8mm		1 (A/F) x 0.90in	
Connector	10-32 UNF Microdot, TNC		10-32 UNF Microdot, TNC	