

A/20, A/20/T, A/20/TC Piezoelectric Accelerometer

30pC/g nom. 12.5 gm 250°C Max

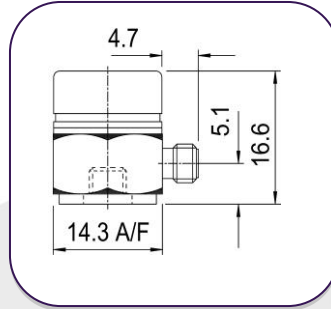


General purpose vibration transducers with the following attributes: Konic shear sensing element 25-40pC/g signal from 12.5 gm wt. transducer

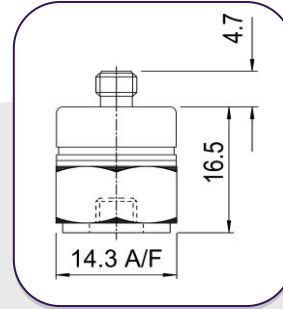
All welded titanium construction including signal connections maximizes longevity under adverse operating conditions.

Relative freedom from strain induced error reduces low frequency measurement uncertainty.

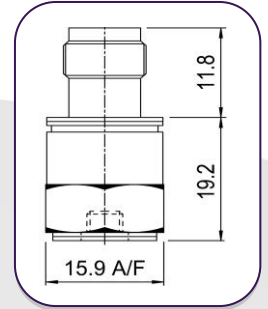
A/20



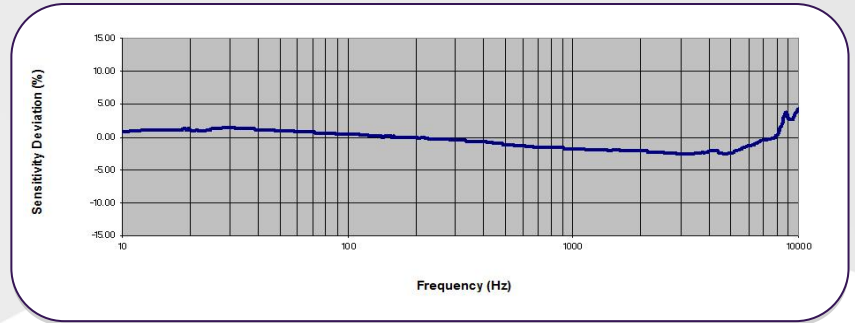
A/20/T



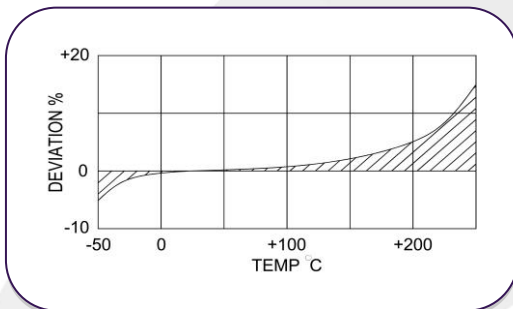
A/20/TC



Typical Frequency Response



Temperature Response



Options:

- Close Tolerance output
- Hermetic TNC connector version, A/20/TC
- Non-magnetic version, A/20/N, TN, TC/N
- Wideband temperature calibration

	Metric	Imperial
Charge sensitivity nom.	2.55pC/(m/s ²) 4.08pC/(m/s ²)	25pC/g 40pC/g
Capacitance pF	1400	1400
Resonant Frequency kHz	≈28	≈28
Cross Axis error % max	5	5
Temperature range	(opt. -71) -50/ +250°C	(opt. -95.8) -50/ +482°F
Charge sensitivity deviation re 20°C	-10% @ -71°C -5% @ -50°C +15% @ +250°C	-10% @ -95.8°F -5% @ -58°F +15% @ +482°F
Mounting	Tapped Base, 10-32 UNF, 4mm Deep	Tapped Base, 10-32 UNF, 0.16in Deep
Case Material	Titanium Grade 2 (A/20, /T /CR) s/steel 303S31 (A/20/TC)	Titanium Grade 2 (A/20, /T /CR) s/steel 303S31 (A/20/TC)
Frequency Response	1Hz - 9KHz +/- 5% 1Hz - 10KHz +/- 10%	1Hz - 9KHz +/- 5% 1Hz - 10KHz +/- 10%
Maximum continuous 'g' level	19,613m/s ²	2000g
Connector	10-32 UNF Microdot (A/20, A/20T) TNC (A/20/TC)	10-32 UNF Microdot (A/20, A/20T) TNC (A/20/TC)
Weight	12.5gm (A/20, A/20/T) 27.1gm (A/20/TC)	0.44oz (A/20, A/20/T) 0.96oz (A/20/TC)
Size	14.3 (A/F) x 16.6mm 14.3 (A/F) x 16.6mm 14.3 (A/F) x 19.2mm	14.3 (A/F) x 0.65in 14.3 (A/F) x 0.65in 14.3 (A/F) x 0.76in

DJB Instruments (UK) Ltd

Finchley Avenue,
Mildenhall, Suffolk IP28 7BG

A UK company with UK-based manufacturing, assembly and calibration in-house.

Tel +44 (0)1638 712 288
Email sales@djbinstruments.com
Web www.djbinstruments.com

DJB Iss.1

